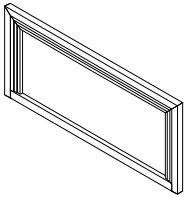

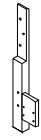
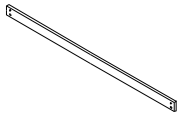







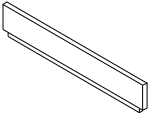
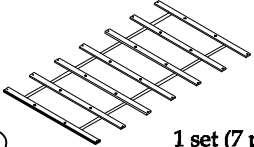
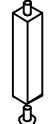
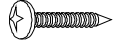

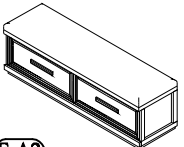
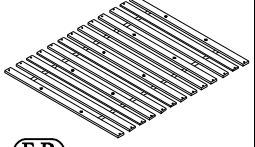
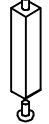

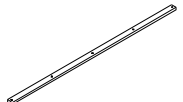

Warning :

- Be sure to check all packing material carefully for small parts, which may have come loose inside the carton during shipment.
- To prevent possible scratches and damage, this furniture **MUST BE ASSEMBLED BY TWO PEOPLE** on a soft surface such as a blanket or carpet.

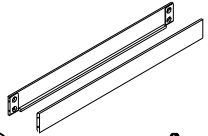




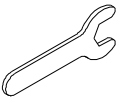
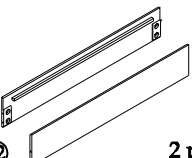
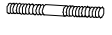



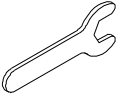
Hardware and Parts packed with the Headboard

<p>King Panel Headboard - 73486</p>  <p>(H-A) 1 pc.</p>	<p>Headboard Post (Right)</p>  <p>(H-B) 1 pc.</p>	<p>Headboard Post (Left)</p>  <p>(H-C) 1 pc.</p>	<p>Headboard Stretcher</p>  <p>(H-D) 1 pc.</p>	
<p>Allen Head Bolt Ø5/16"-18 x 1-1/2"</p>  <p>(H-E) 4 pcs.</p>	<p>Allen Head Bolt Ø5/16"-18 x 1-3/4"</p>  <p>(H-F) 6 pcs.</p>	<p>Flat Washer Ø5/16" x 19 x 2mm</p>  <p>(H-G) 10 pcs.</p>	<p>Spring Washer Ø5/16" x 12 x 3mm</p>  <p>(H-H) 10 pcs.</p>	<p>Allen key 5mm</p>  <p>(H-I) 1 pc.</p>

Hardware and Parts packed with the Footboard

<p>King Panel Footboard - 73481</p>  <p>(F-A1) 1 pc.</p>	<p>Wood Slat (76-13/16" x 2-3/4" x 11/16")</p>  <p>(F-B) 1 set (7 pcs).</p>	<p>Support leg (1-1/8" x 1-1/8" x 6-3/4")</p>  <p>(F-C) 14 pcs.</p>	<p>Screw #8 x 1"</p>  <p>(F-D) 14 pcs.</p>	<p>Tool Required (Not provided) Phillips Screwdriver</p> 	
<p>King Storage Footboard 73483</p>  <p>(F-A2) 1 pc.</p>	<p>Wood Slat (76-13/16" x 2-3/4" x 11/16")</p>  <p>(F-B) 1 set (13 pcs).</p>	<p>Support leg (1-1/8" x 1-1/8" x 13-1/2")</p>  <p>(F-C) 10 pcs.</p>	<p>Screw #8 x 1"</p>  <p>(F-D) 26 pcs.</p>	<p>Slat Support Rails (78-13/16" x 2-3/4" x 11/16")</p>  <p>(F-E) 2 pcs.</p>	<p>Tool Required (Not provided) Phillips Screwdriver</p> 

Hardware and Parts packed with the Bed Rails

<p>Panel Bed Rails - 73472</p>  <p>(R-A1) 2 pcs.</p>	<p>All - Thread Bolt Ø5/16"-18 x 4 -1/2"</p>  <p>(R-B) 8 pcs.</p>	<p>Hex Nut Ø5/16"</p>  <p>(R-C) 8 pcs.</p>	<p>Spring Washer Ø5/16" x 12 x 2mm</p>  <p>(R-D) 8 pcs.</p>	<p>Curved Washer Ø5/16"</p>  <p>(R-E) 8 pcs.</p>	<p>Open Wrench 12mm</p>  <p>(R-F) 1 pc.</p>
<p>Storage Bed Rails - 73479</p>  <p>(R-A2) 2 pcs.</p>	<p>All - Thread Bolt Ø5/16"-18 x 4 -1/2"</p>  <p>(R-B) 8 pcs.</p>	<p>Hex Nut Ø5/16"</p>  <p>(R-C) 8 pcs.</p>	<p>Spring Washer Ø5/16" x 12 x 3mm</p>  <p>(R-D) 8 pcs.</p>	<p>Curved Washer Ø5/16"</p>  <p>(R-E) 8 pcs.</p>	<p>Open Wrench 12mm</p>  <p>(R-F) 1 pc.</p>

6/0-6/6 King Panel Bed

- 73486 -- 6/0-6/6 King Panel Headboard
- 73481 -- 6/6 King Panel Footboard
- 73472 -- 5/0-6/6 Panel Bed Rails

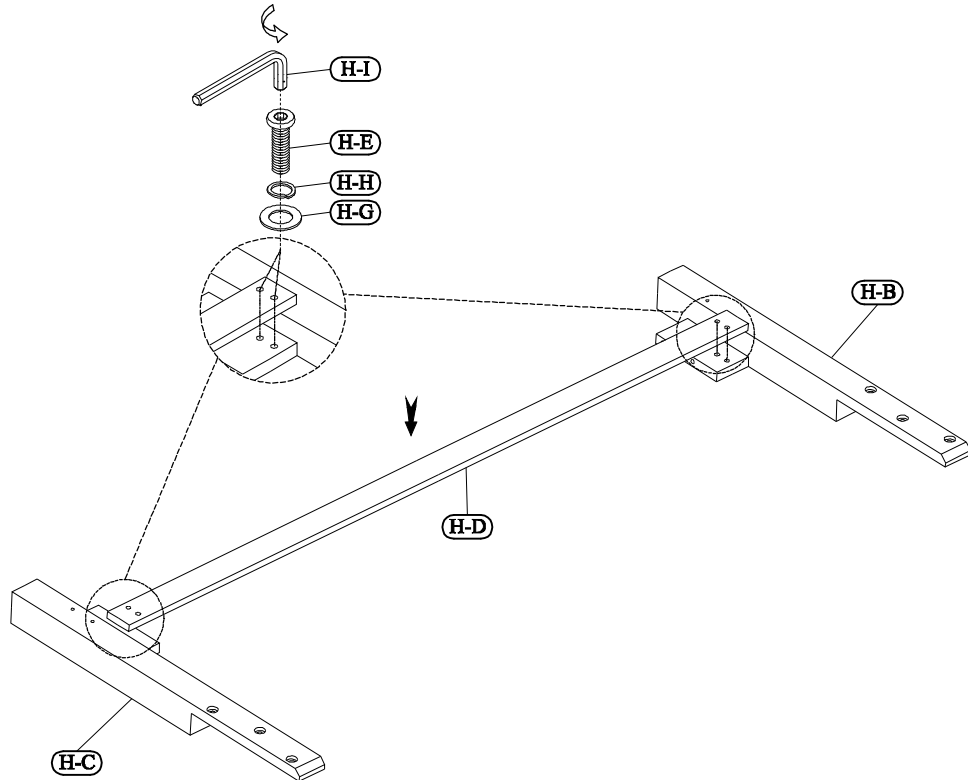
6/0-6/6 King Storage Bed

- 73486 -- 6/0-6/6 King Panel Headboard
- 73483 -- 6/6 King Storage Footboard
- 73479 -- 5/0-6/6 Storage Bed Rails

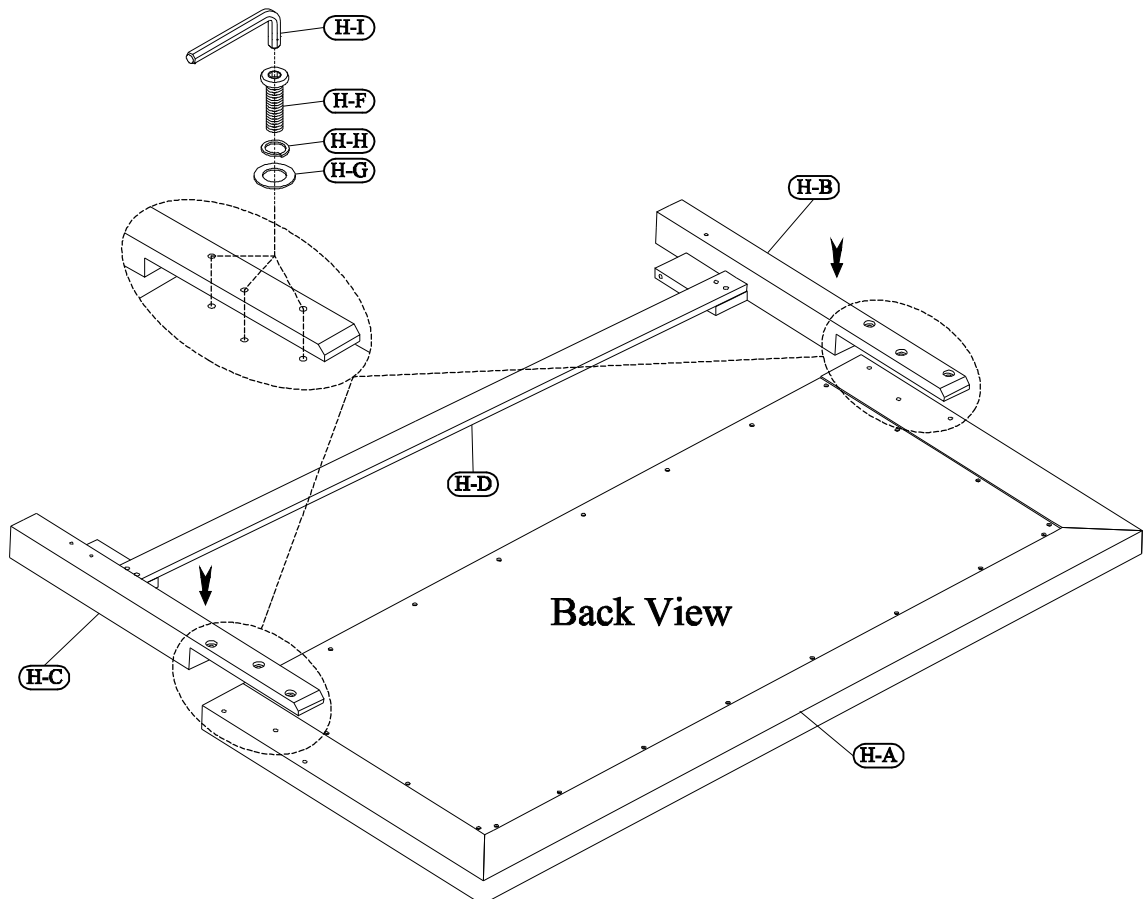
6/0-6/6 King Panel Bed

73486 6/0-6/6 King Headboard

Step 1



Step 2

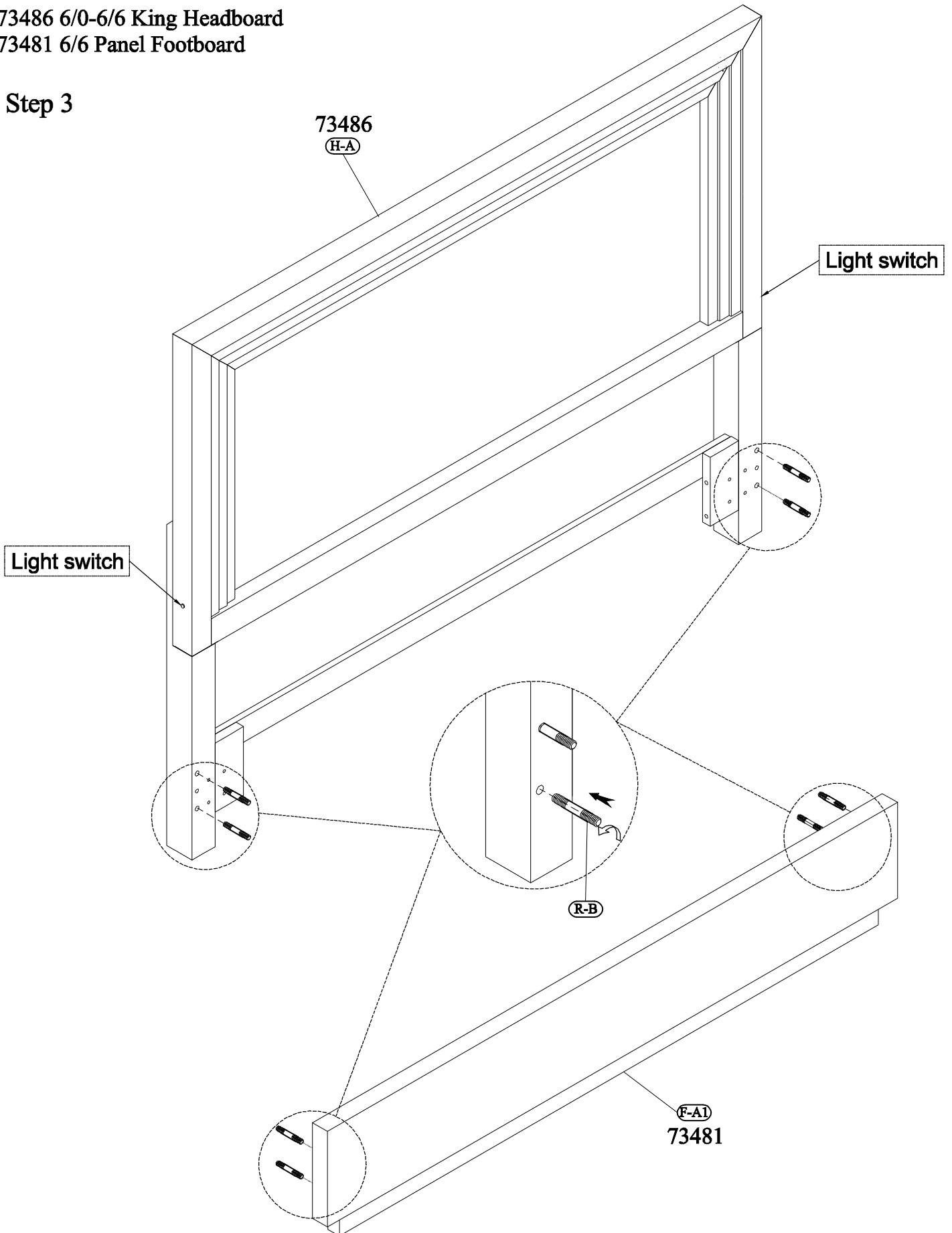


6/0-6/6 King Panel Bed

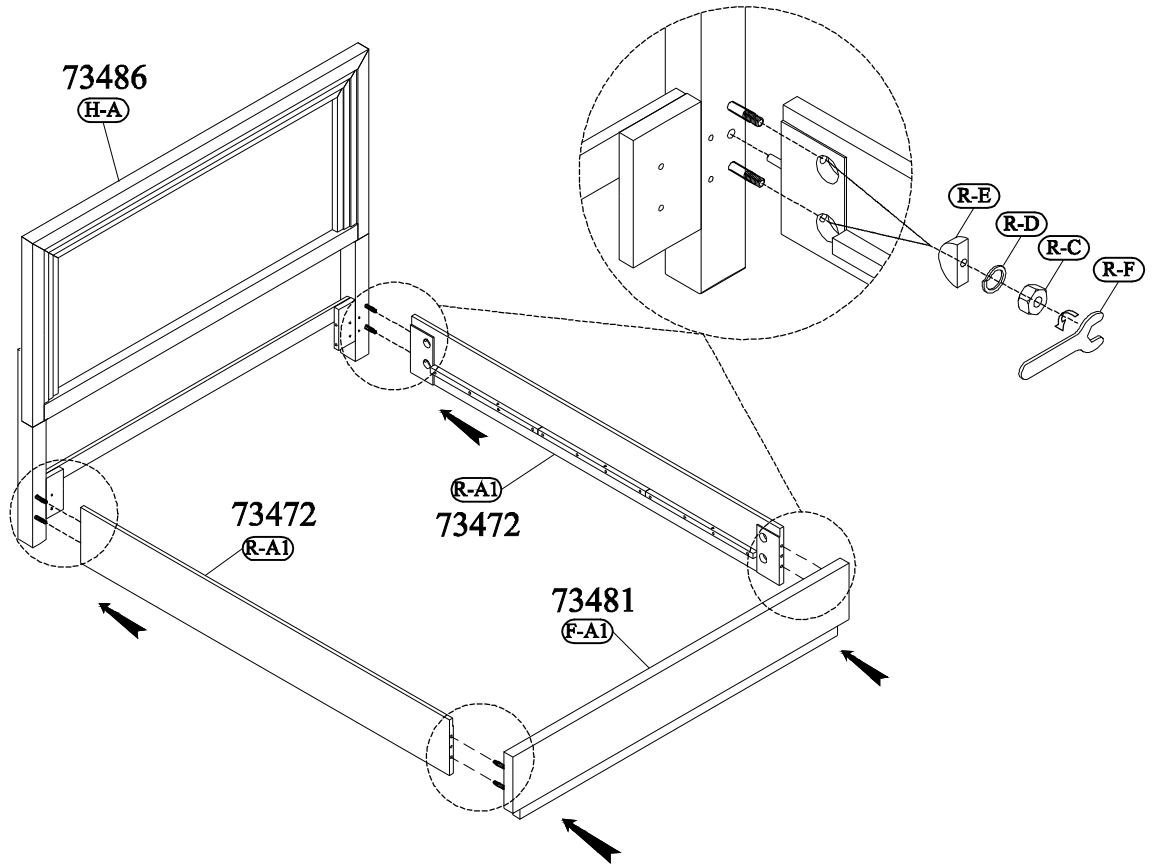
73486 6/0-6/6 King Headboard

73481 6/6 Panel Footboard

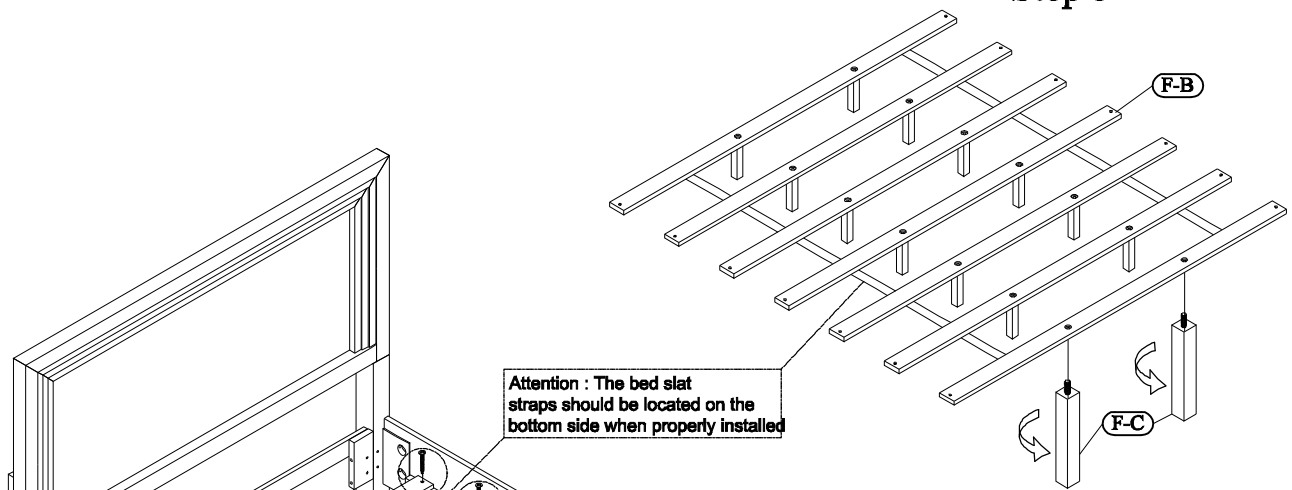
Step 3



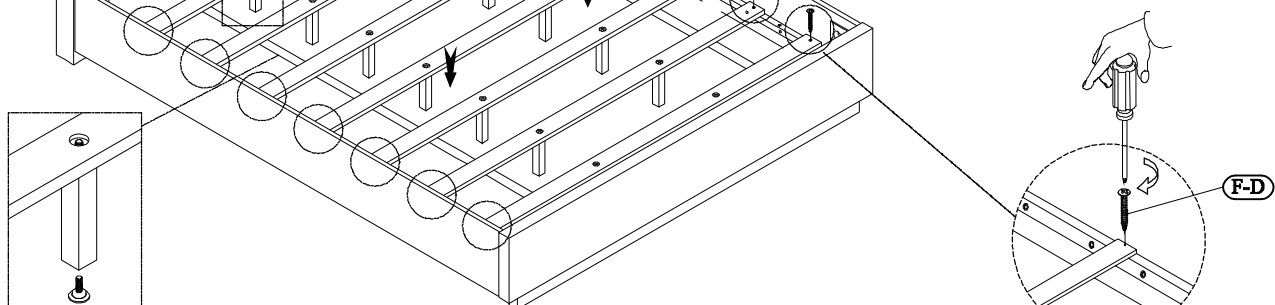
Step 4



Step 5



Step 6

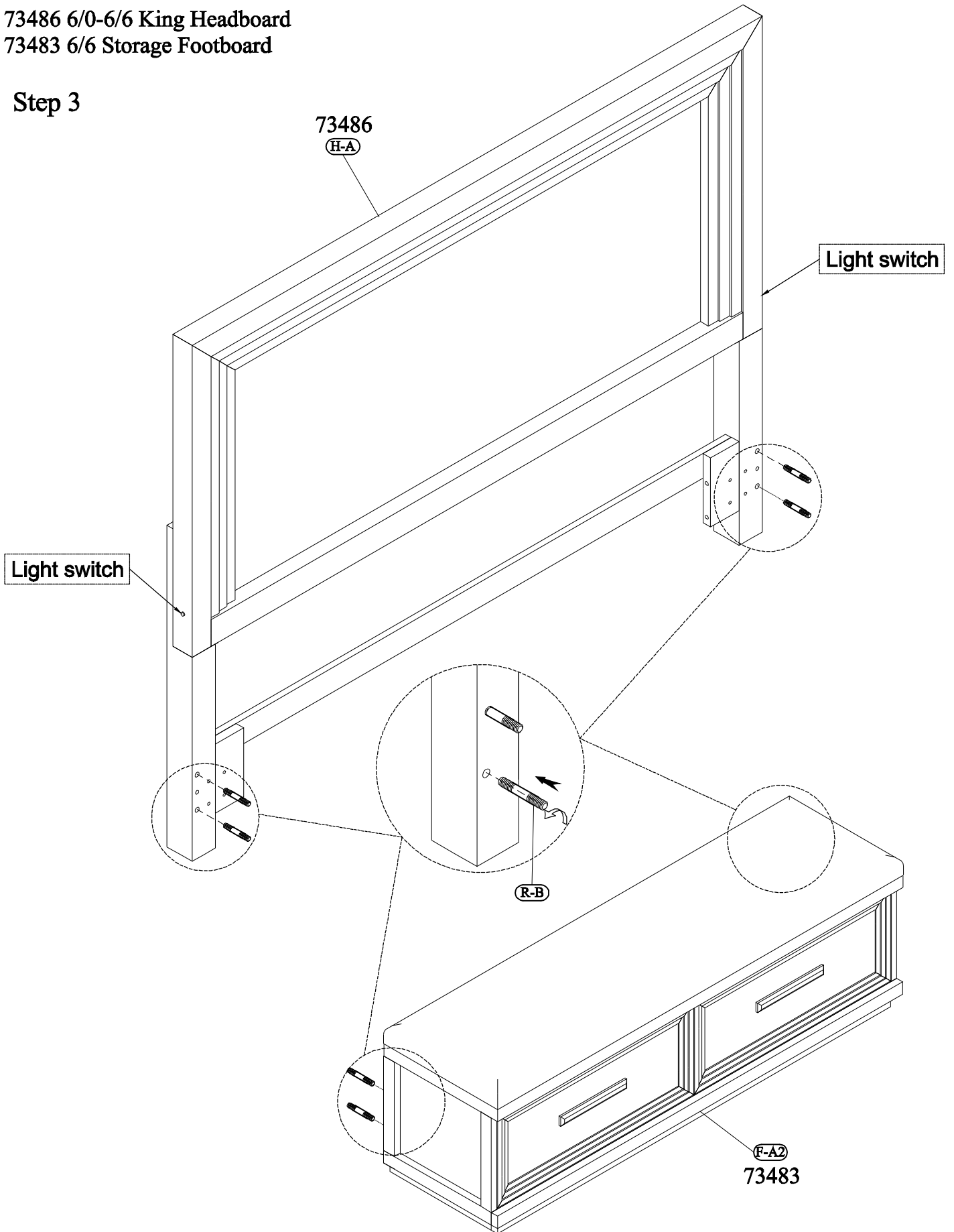


6/0-6/6 King Storage Bed

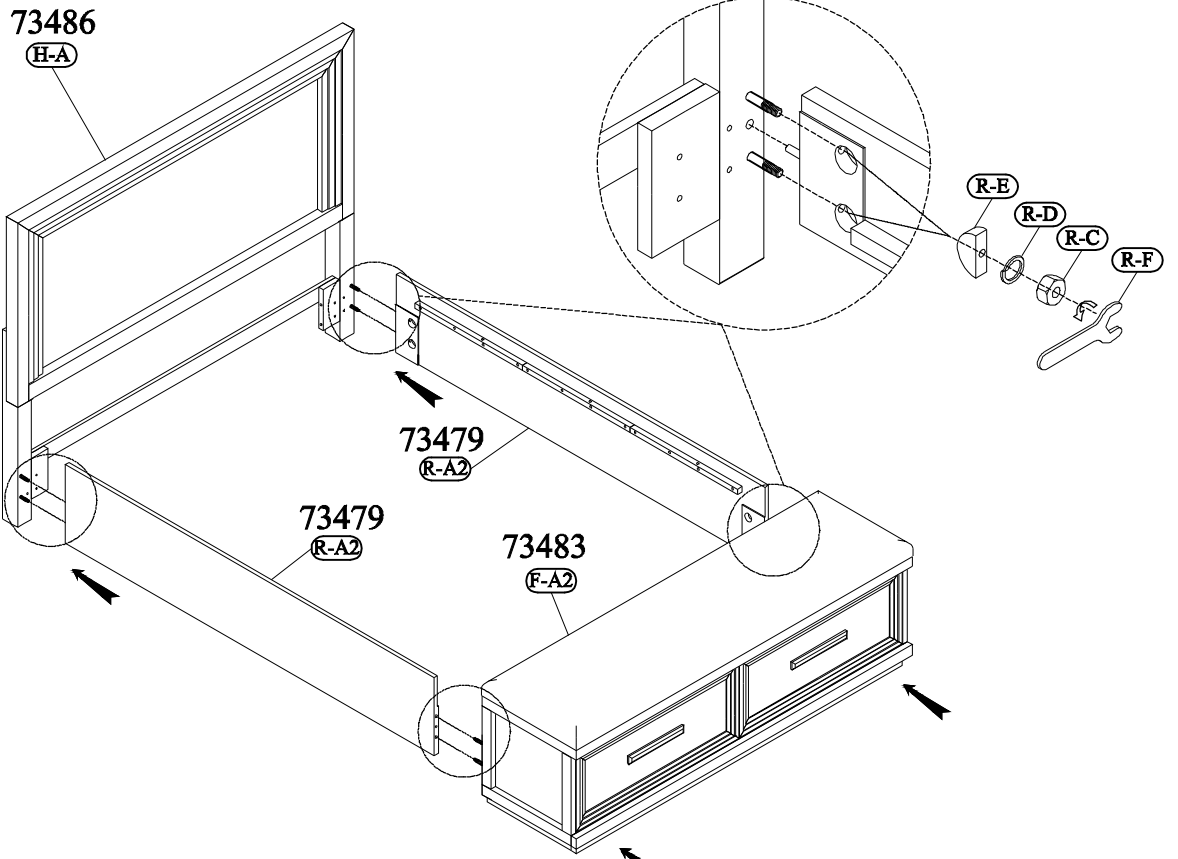
73486 6/0-6/6 King Headboard

73483 6/6 Storage Footboard

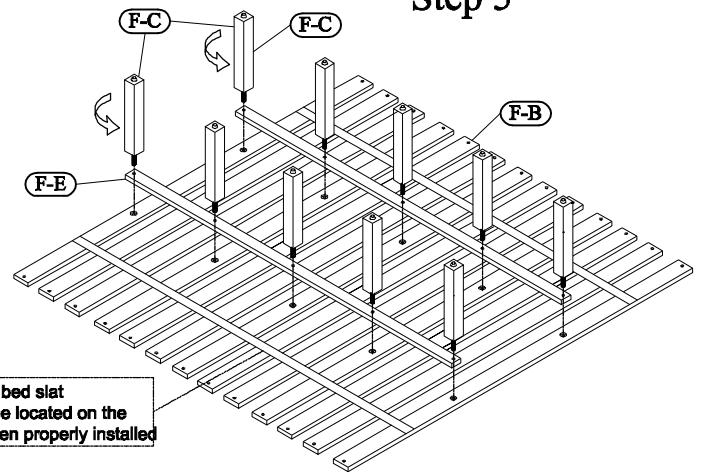
Step 3



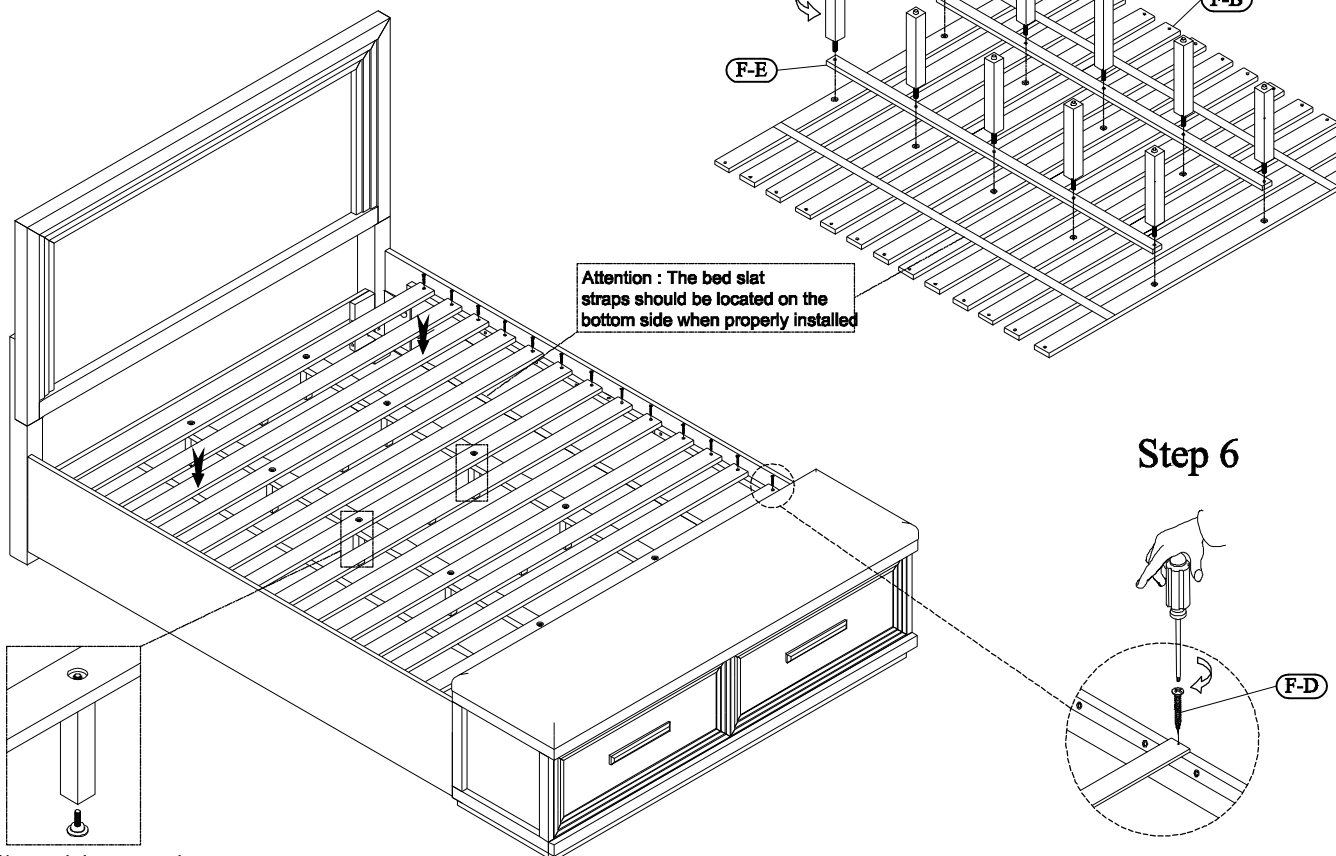
Step 4



Step 5



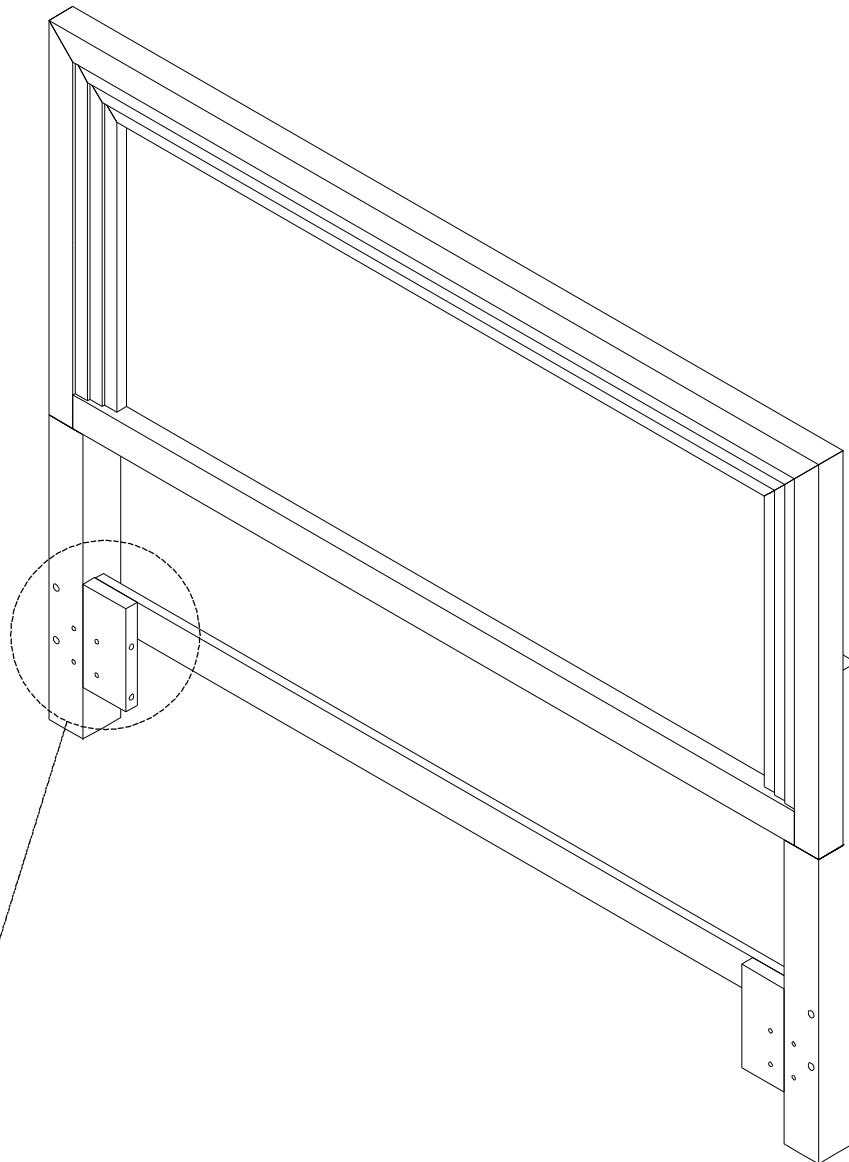
Step 6



Adjustable Leveler

6/0-6/6 King Panel Bed

73486 -- 6/0-6/6 King Panel Headboard



- USE THESE HOLES FOR ATTACHING WOOD SIDE RAILS.
ALL HARDWARE IS INCLUDED WITH THE SIDE RAILS
- USE THESE HOLES FOR ATTACHING A (6/0) CALIFORNIA KING METAL
BED FRAME CUSTOMER TO PROVIDE THE HARDWARE NEEDED
- USE THESE HOLES FOR ATTACHING A (6/6) KING METAL BED FRAME
CUSTOMER TO PROVIDE THE METAL HARDWARE NEEDED

**THE HEADBOARD MAY BE USE ALONE WITH
A CALIFORNIA KING OR A STANDARD KING
SIZE METAL BED FRAME.**